

SHTH

SKIRTING HEATING. TRENCH HEATING.

The Classic and Delta skirting heating systems. Trench heating systems.



VIDEO

www.variotherm.com

VARIOTHERM

Wonderfully discreet. Cosiness you can feel.
The energy saving, high-performance Variotherm
skirting heating systems come in attractive
designs and fit elegantly into any room.

THE THREE. INGENIOUS. PROPERTIES.

FAST RESPONSE

Skirting heating systems are easy to install
anywhere you like. Even during renovation!
Due to their low water level, skirting heating
systems and trench heating can be regulated in
super quick time, and in so doing provide the
conditions for an all round comfortable living
environment.

1

WARMING COLD SURFACES

Cold outer walls and cool glass surfaces are
potential thermal bridges. Variotherm skirting
heating and trench heating systems build up a veil
of warm air, reliably screening off cold surfaces,
preventing cold down draughts.

2

FLEXIBLE HEATING

Both skirting heating and trench heating
systems are elegant, discreet and flexible in
terms of their design. The cladding of the
skirting heating systems is available in
over 200 RAL colours, or can be designed
according to the customer's individual
requirements, e.g. in solid wood.

The attractively grid of the
trench heaters are available
in three different colours.

3





CLASSIC DELTA SKIRTING HEATING | TRENCH HEATING

SO EFFICIENT

The choice is yours! Both the skirting heating systems and trench heaters are highly efficient and come in attractive designs. The core component of both systems is the heating element developed by Variotherm. They quickly and reliably create a warm air barrier to outside, and in so doing provide a pleasant cosy atmosphere.

TWO GREAT. ALTERNATIVES.



SO FLEXIBLE

No other heating solution can be used in so many individual ways as the skirting heating system. With its wide range of different cladding options, it can be perfectly made to match any room style. With their well thought out architectural design, the trench heater can be inserted seamlessly along glass façades and in entrance areas or conservatories.

SAVES SO MUCH ENERGY

Both skirting heating and trench heating systems have a very rapid effect. Compared to other systems, they operate with a small water quantity. Combined with low hot water temperatures, this leads to considerable energy savings.

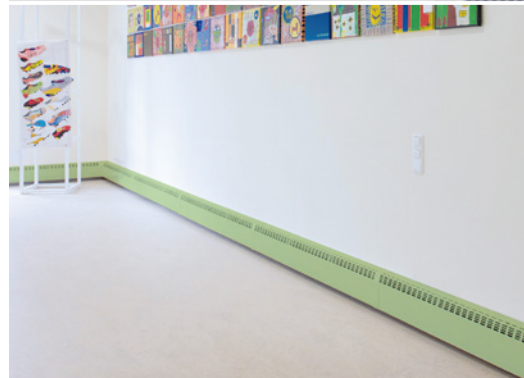




The latest technology.
Specially designed.
Tried and tested in practice.
Pleasant radiant heat.

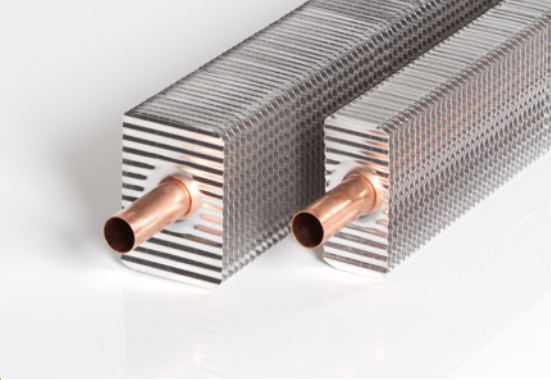


The advantages are clear! Variotherm skirting heating systems and trench heating systems provide effective screening against thermal bridges and ensure a cosy atmosphere.



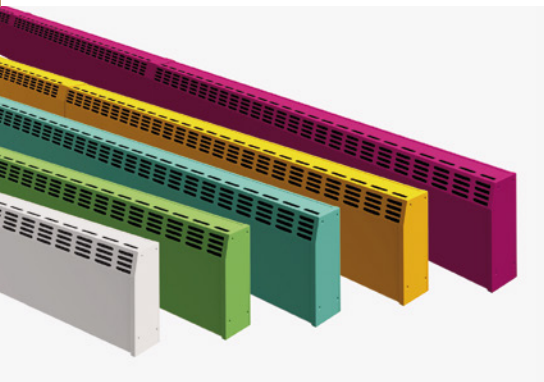
Wonderfully discreet. Flexible usage options.
In living spaces, conservatories and verandas, in schools, fitness studios, show rooms and office and administration buildings.





High degree of efficiency. Efficient heating performance. The heating elements developed by Variotherm are used both in skirting and trench heating systems.

Over 200 RAL colours are available for the metal cladding of the Delta skirting heating systems.



Simple installation. Stable fixation. With the help of the brackets, the skirting heating systems can be quickly and easily installed along walls and under windows.

The temperature can be set using a thermostatic valve or controlled by a room thermostat.



EVERYTHING. YOU NEED.

Variotherm heating/cooling manifolds are fully assembled and pressure tested.



TECHNICAL PROPERTIES. MODELS. TYPES.



THE SPECIAL HEATING ELEMENTS

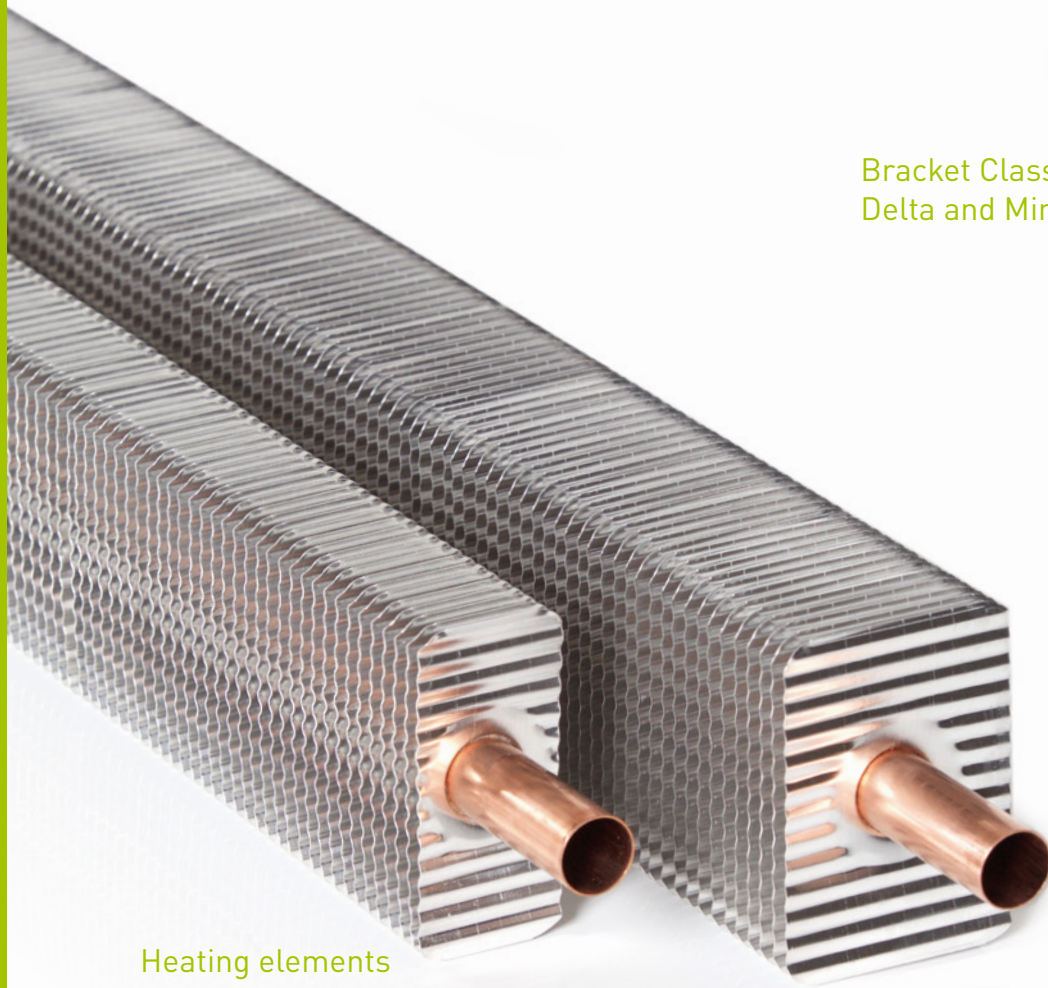
The specially developed heating elements from Variotherm are the technical core component of the Variotherm skirting heating systems. Highly efficient when it comes to performance. Optimised heat distribution.

THE PURE CLASSIC SKIRTING HEATING SYSTEM

Your individual design. The Classic system simply comprises the heating elements and brackets. On the outside, you can fit them with any cladding you like (e.g. solid wood).

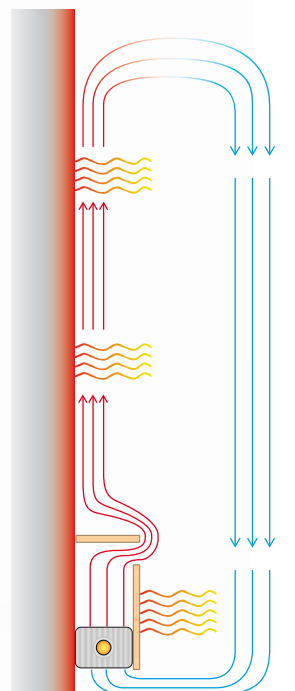
THE FLEXIBLE DELTA SKIRTING HEATING SYSTEM

Our discreet Delta skirting heating system adapts its appearance to any wall, just like a chameleon. There are few design ideas that cannot be implemented by our over 200 RAL colours for metal cladding.



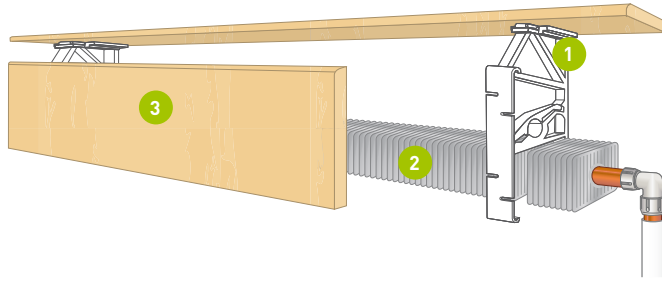
Heating elements

Bracket Classic,
Delta and Mini



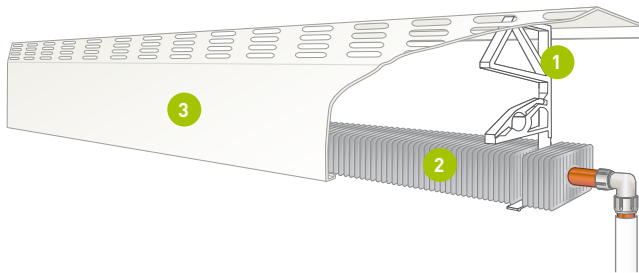
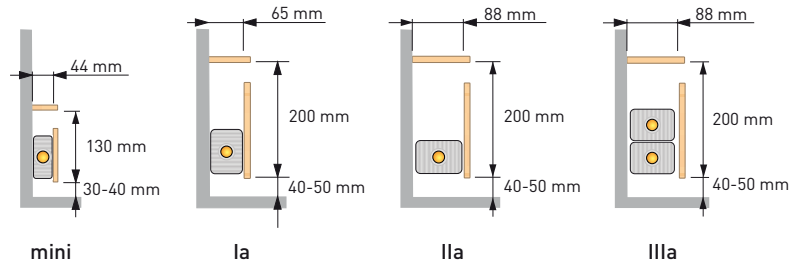
The Coandă effect:

As the warm air rises it is drawn towards the cold surface - the Coandă effect - this avoids large-scale air movements in the room.



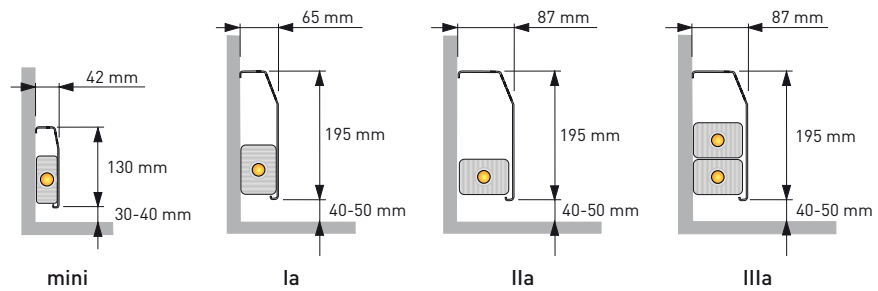
Classic skirting heating system

- 1 Bracket
- 2 Heating element
- 3 e.g. wooden cladding

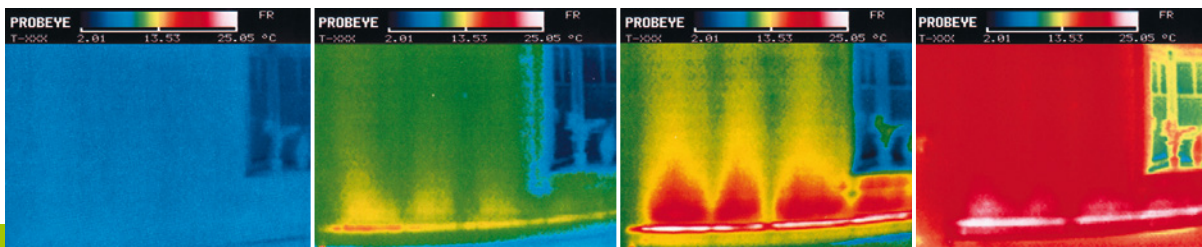


Delta skirting heating system

- 1 Bracket
- 2 Heating element
- 3 Metal cladding



How a cold wall becomes a wall with radiant heat: Infrared images show the effect of the Variotherm skirting heating systems. A veil of warm air is developed in just a few minutes. It acts as a screen against the cold and heats cool walls.



SKIRTING HEATING SYSTEMS SIMPLY. QUICKLY. INSTALLED.

THE SUBSTRUCTURE

The Delta and Classic skirting heating systems can easily be attached to all finished plastered walls or wooden panels, niches, wall protrusions or window bases.

1



INSTALLING THE SKIRTING HEATING SYSTEMS

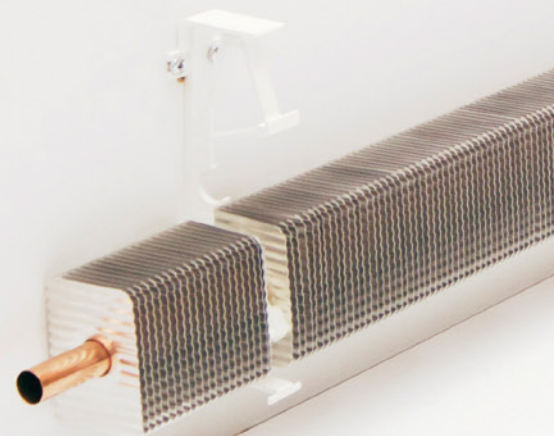
All the steps needed to complete the installation work have been developed by specialists with their practical application in mind. The installation procedure is therefore quick, and can be completed by just one person. The Delta and Classic skirting heating systems: simply screw the bracket onto the wall and insert the heating elements.

2

FINAL INSTALLATION

The final installation is also quickly completed with both models. Connect the heating elements. Attach the cladding. That's all there is to it.

3





CLASSIC DELTA SKIRTING HEATING

TRENCH HEATING SYSTEMS TECHNICAL PROPERTIES. MODELS. TYPES.

THE HIGH-PERFORMANCE TECHNOLOGY

The heating elements developed and produced by Variotherm consist of a high-quality copper pipe with specially formed aluminium heating fins. Tried and tested over many years, our technology guarantees an outstanding degree of efficiency and highly energy-efficient heating operations.

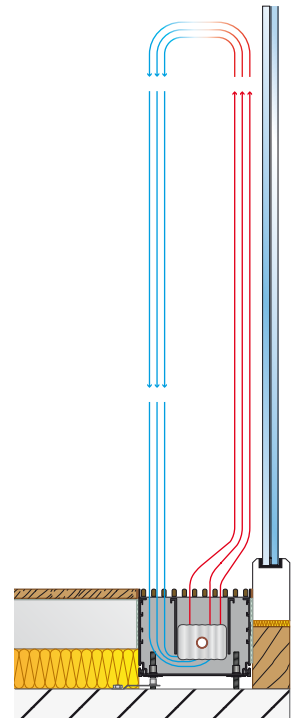
THE THS1 TRENCH HEATING SYSTEM

The THS1 trench heating system stands out for its individual, high-performance heating element. Its width is 180 mm. It is available in any length and can be ordered precisely to size in accordance with building requirements.

THE THS2 TRENCH HEATING SYSTEM

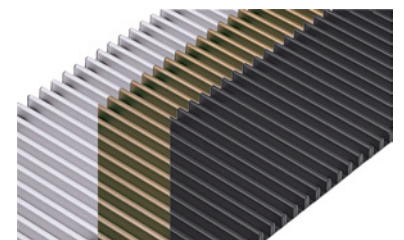
The higher-output THS2 trench heating system has two heating elements for higher heat output. It is 260 mm wide. The THS2 is also available in two height versions of 140 mm or 90 mm. It is available in any length and can be ordered precisely to size.

Unique: The heating element of the Variotherm trench heating systems is positioned on a glass side. It causes a veil of warm air build up within seconds, which protects the cooling effects of cold surfaces.



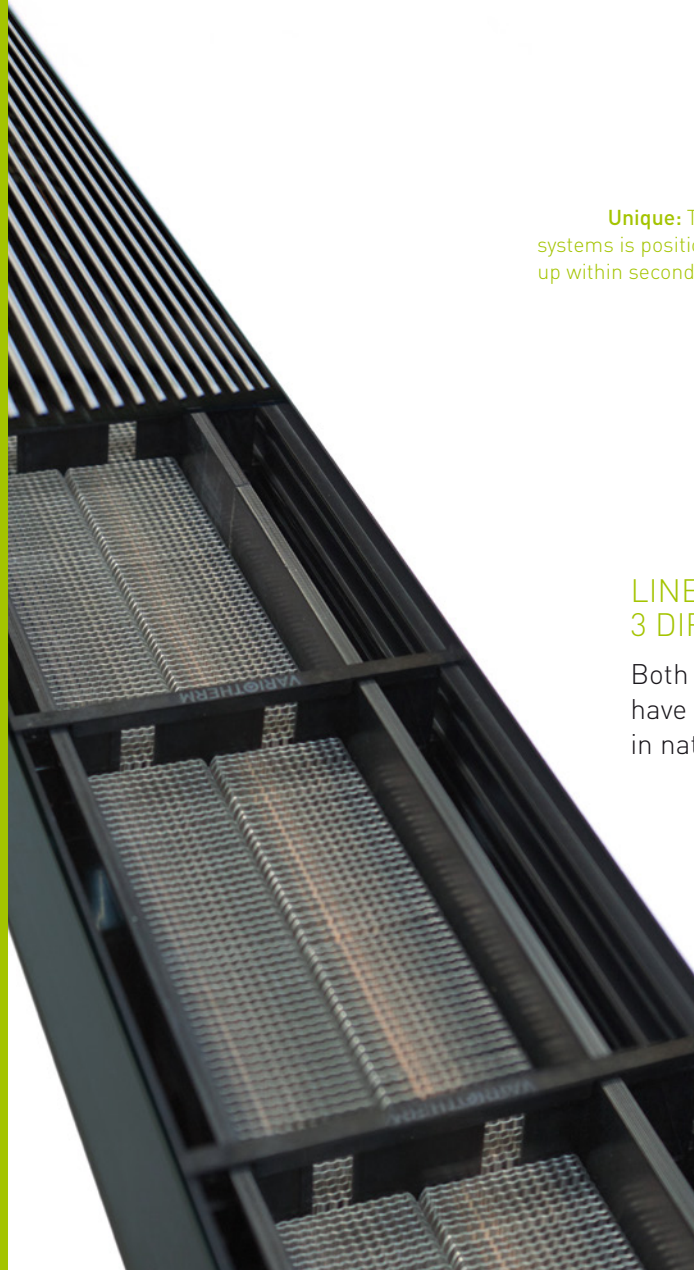
LINEAR OR ROLL GRIDS IN 3 DIFFERENT COLOURS

Both the linear grid and the roll grid have an attractive design and are easy to clean. The grids are available in natural aluminium, light bronze and black.



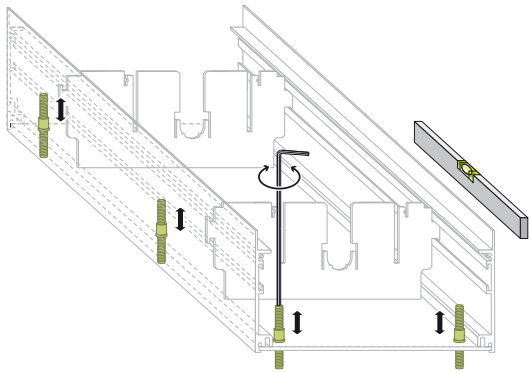
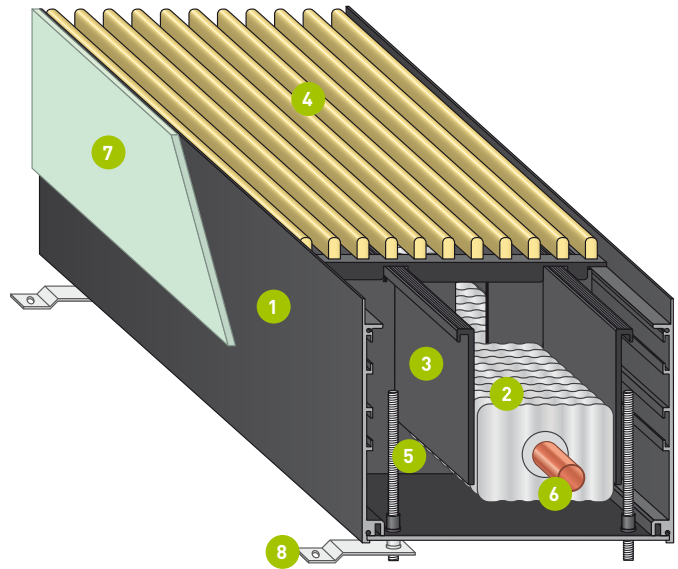
Linear grid

Roll grid



TRENCH HEATING

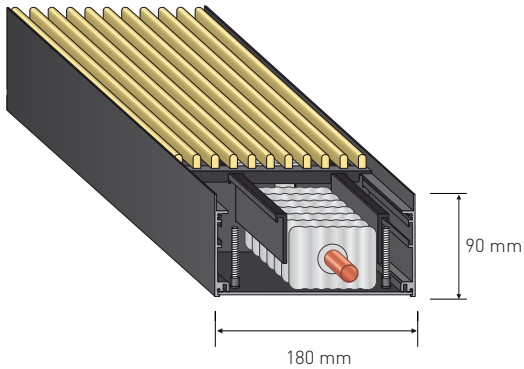
- 1 Trench heater frame
- 2 Heating element
- 3 Air baffle plate
- 4 Grid
- 5 Adjustment screws
- 6 Copper pipe/alternative stainless steel pipe
- 7 Side strips, green
- 8 Attachment bracket



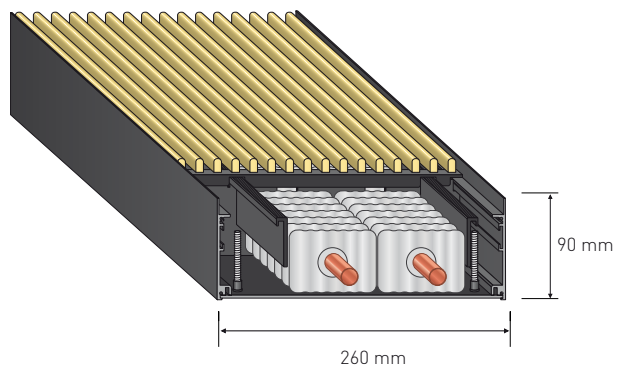
STABLE INSTALLATION. NO UNDERFILLING.

Another feature of the Variotherm trench heating systems are the adjustment screws. Due to the narrow gaps, the trench heating system can be walked on immediately after installation.

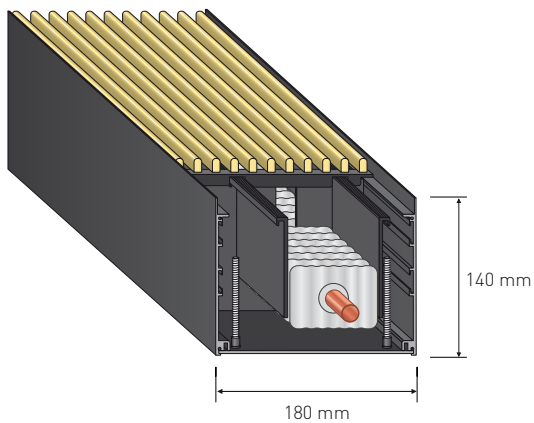
Typ THS1 mini



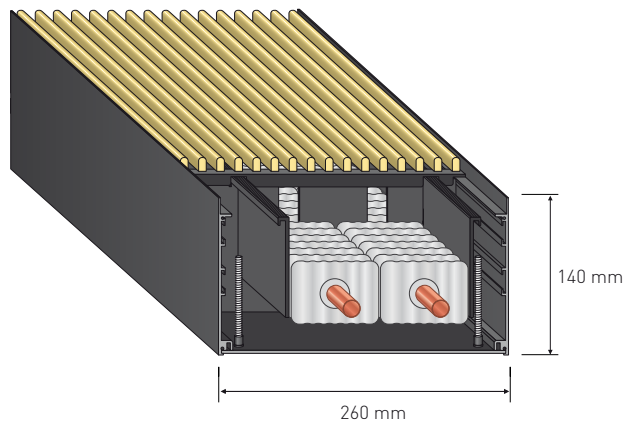
Typ THS2 mini



Typ THS1



Typ THS2

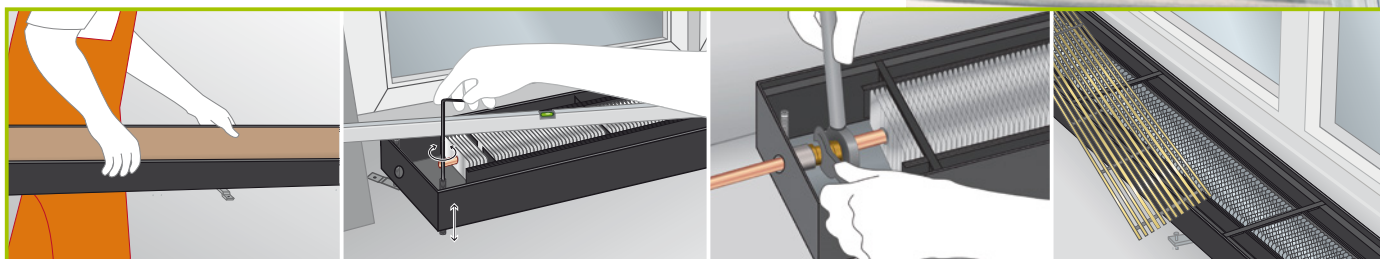


TRENCH HEATING SYSTEMS SIMPLY. QUICKLY. INSTALLED.

THE SUBSTRUCTURE

As a base, any standard level untreated concrete is suitable before the screed is applied. Wooden floor structures also lend themselves to this purpose.

1



INSTALLING THE TRENCH HEATING SYSTEMS

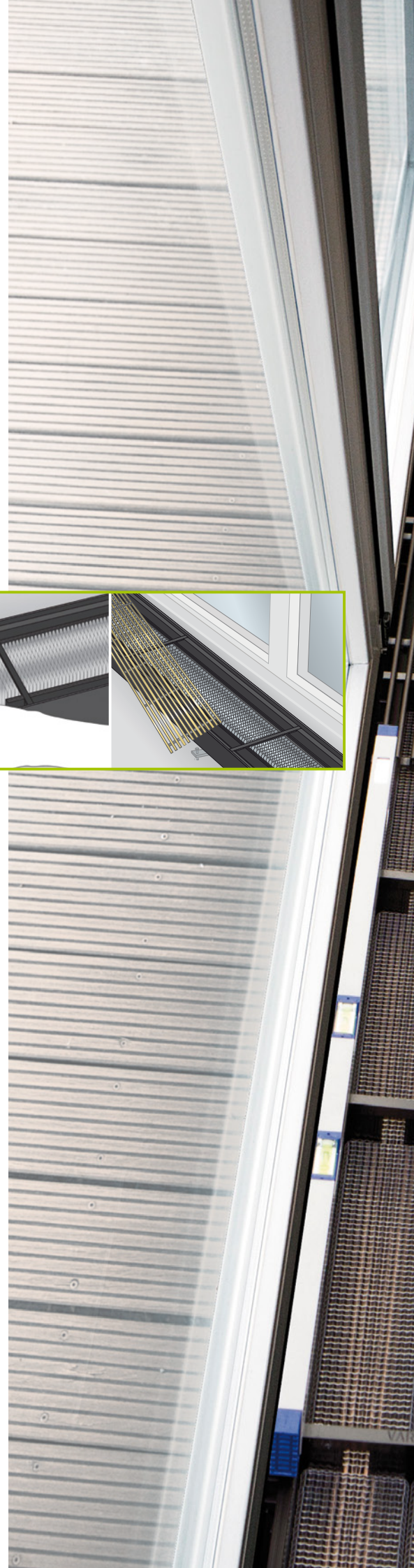
This is quality of service: All Variotherm trench heating systems are delivered already pre-assembled with the correct length, and only need to be aligned and screwed into place on site. Using the interior adjustment screws, the ducted channel can be precisely set to the required floor level. Subsequent adjustment is possible at any time. No underfill is required.

2

FINAL INSTALLATION

After the trench heating systems have been connected to the heating circuit, the complete system is ready for the application of the screed and the installation of the floor covering. The concrete channels are safe to walk on as soon as the linear or roll grids have been inserted.

3





STRONG. ARGUMENTS. GUARANTEED.

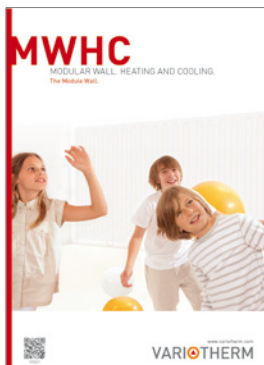
SKIRTING HEATING SYSTEM

- Fast response works in seconds
- Environmentally friendly and energy saving
- Completely adaptable to room dimensions
- The influence of cold surfaces is alleviated
- Wide range of output options
- Combats damp and mould formation on walls
- 10 year guarantee

TRENCH HEATING

- Grids in 3 different colours
- Efficiently shields against the cooling effect of glass surfaces
- Very fast response
- Visually discreet – individual room use is not compromised in any way
- Lengths are produced exactly to your requirements
- Guaranteed short delivery times
- 10 year guarantee

ALSO AVAILABLE FROM VARIO THERM



MODULAR WALL.
HEATING AND COOLING.



MODULAR.
FLOOR HEATING.
20 mm.



SCREED.
FLOOR HEATING.
SYSTEMS.



MODULAR.
CEILING COOLING.
CEILING HEATING.

YOUR VARIO THERM PARTNER



VARIO THERM HEIZSYSTEME GMBH

GÜNSELSDORFER STRASSE 3a
2544 LEOBERSDORF
AUSTRIA

T: 0043 2256 648 70 0
F: 0043 2256 648 70 9

office@variotherm.com

www.variotherm.com

